

# Metadata Working Group Report

- ◆ Status of Metadata Working Group
- ◆ Supplemental Information



T. Yoshie  
CCS, Univ. of Tsukuba  
@ILDG23, April 24<sup>th</sup> 2015



# Status of Metadata Working Group

- No update of QCDml since ILDG21
  - no request to markup something new
- Latest version
  - **QCDmlEnsemble1.4.8** released on June 8<sup>th</sup>, 2013
    - markup “Twisted mass quark actions with clover term”
  - **QCDmlConfig1.3.1** released on Jan. 17<sup>th</sup>, 2010
    - agreement of simplification (at ILDG21), i.e.
      - allow DUMMY values for mandatory XML elements, except **markovChainURI**, **dataLFN**, **precision**, **series**, **update**, **crcChecksum**, **avePlaquette**
- To be discussed
  - **markup DOI for ensemble** (after the issue is settled)<sub>2</sub>

# Supplemental Informaion

- Validation of XML documents (Ensemble/Config.)
  - frequent down of ILDG website (see MWWG report)
  - QCDml schema are accessible (maintained by USQCD)
- unofficial Web-page for ILDG MDWG
  - <http://www2.ccs.tsukuba.ac.jp/ILDG>
  - for my own use, but may be useful for others



# International Lattice Data Grid for Metadata Working Group



## QCDmlEnsemble1.4.8

[schemata](#), [document](#),  
[sample1 \(clovertmmasssplit\)](#),  
[sample2 \(tpluescher\\_wilsonclovertm\)](#)

generated by Altova XMLSpy

## QCDmlConfig1.3.1

[schemata](#), [document](#),  
[sample](#),  
[sample-minimal \(see discussions at ILDG21\)](#)

for new features of this release

## [Changelog](#)

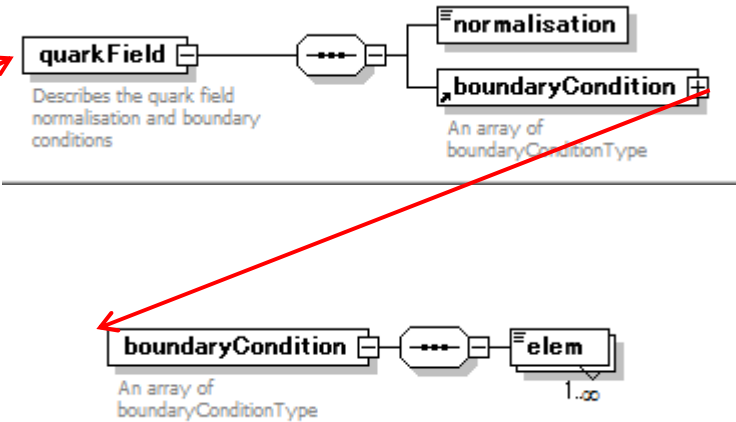
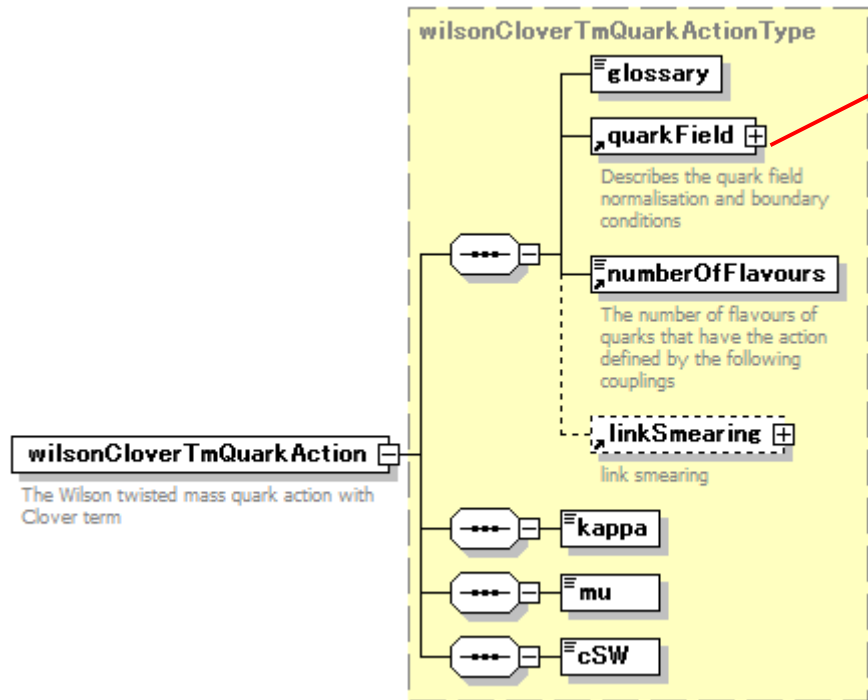
More Samples: [Sample-1.4.1](#), [Sample-1.4.3](#), [Sample-1.4.4](#), [Sample-1.4.7](#)

## [Archive](#)

## [Presentation](#)

# a diagram in the XMLSpy document

click to see details



# a part of sample xml

```

<wilsonCloverTmQuarkAction>
  <glossary/>
  <quarkField>
    <normalisation>sqrt2kappa</normalisation>
    <boundaryCondition>
      <elem>periodic</elem>
      <elem>periodic</elem>
      <elem>periodic</elem>
      <elem>antiperiodic</elem>
    </boundaryCondition>
  </quarkField>
  <numberOfFlavours>2</numberOfFlavours>
  <kappa>0.156315</kappa>
  <mu>0.0045</mu>
  <cSW>1.2</cSW>
</wilsonCloverTmQuarkAction>

```

<http://www.lqcd.org/ildg/QCDml/ensemble1.4>  
 extension of [wilsonTmQuarkActionType](#)  
[glossary](#) [quarkField](#) [numberOfFlavours](#) [linkSmearing](#) [kappa](#) [mu](#) [cSW](#)  
 element [wilsonCloverTmQuarkAction](#)



## International Lattice Data Grid for Metadata Working Group



---

### QCDmlEnsemble1.4.8

[schemata](#), [document](#),  
[sample1 \(clovertmmasssplit\)](#),  
[sample2 \(tpluescher\\_wilsonclovertm\)](#)

### QCDmlConfig1.3.1

[schemata](#), [document](#),  
[sample](#),  
[sample-minimal \(see discussions at ILDG21\)](#)

### [Changelog](#)

More Samples: [Sample-1.4.1](#), [Sample-1.4.3](#), [Sample-1.4.4](#), [Sample-1.4.7](#)

---

### [Archive](#)

---

### [Presentation](#)

sample XML files for each release

links to ILDG workshop web pages and MDWG presentations

## 23rd International Lattice Data Grid Workshop

April 24, 2015  
12:00–15:00 GMT

CSSM  
University of Adelaide  
Australia



The twenty-third workshop of the International Lattice Data Grid (ILDG)

### Workshop Date and Time

April 24, 2015  
12:00–15:00 UTC+GMT  
21:00–24:00 Japan  
21:30–00:30 Adelaide  
13:00–16:00 UK (daylight savings time)  
14:00–17:00 Europe (daylight savings time)  
08:00–11:00 USA, Eastern (daylight savings time)  
07:00–10:00 USA, Central (daylight savings time)  
06:00–09:00 USA, Mountain (daylight savings time)  
05:00–08:00 USA, Pacific (daylight savings time)

### Virtual Location

Meeting will be held over [EVO \(http://evo.caltech.edu\)](http://evo.caltech.edu) system. Details (to be confirmed) are below:

Title: ILDG23  
Description: The 23rd International Lattice Data Grid Workshop  
Community: CoEPP  
Password: gluenGRID

## Metadata Working Group Report

- ◆ Update of Ensemble XML
- ◆ Simplification of Config. XML (still under discussion)



T. Yoshie  
CCS, Univ. of Tsukuba  
@ILDG21, Dec 13<sup>th</sup> 2013



1

---

[ILDG23](#), TV conference hosted by CSSM, Univ. of Adelaide  
[Not Yet](#) (2015/04/24) X.Xxxxx

---

ILDG22, at Lattice 2014 (Columbia,2014/06/23)

---

[ILDG21](#), TV conference hosted by CSSM, Univ. of Adelaide  
[MetaData Working Group Report](#) (2013/12/13) T.Yoshie

---

ILDG20, at Lattice 2013 (Mainz,2012/07/29)

---

[ILDG19](#), TV conference hosted by Univ. of Parma and INFN  
[MetaData Working Group Report](#) (2013/05/10) T.Yoshie

---